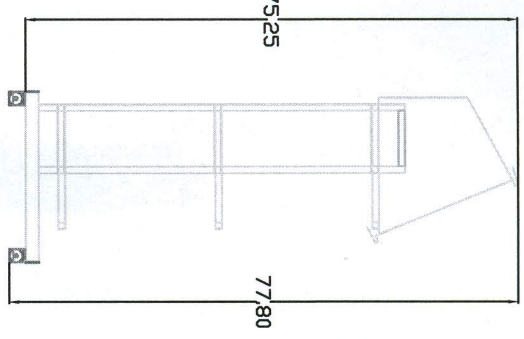
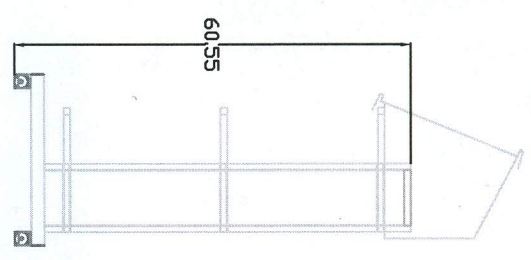


4 3 2 1

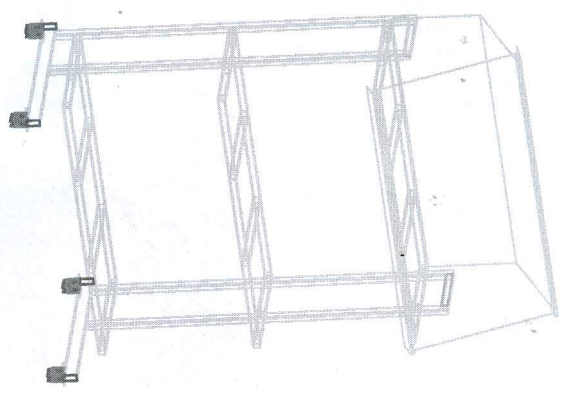
Left View



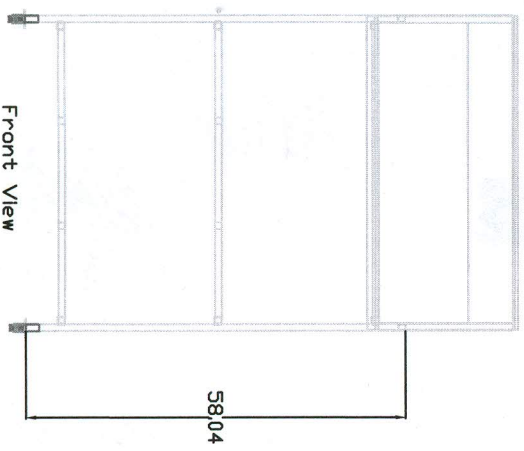
Right View



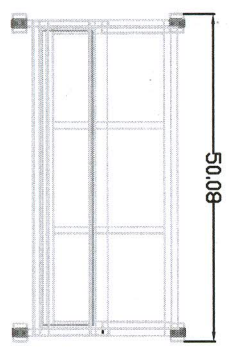
ISD View



Front View



Top View



REVISIONS			
ZONE	REV	DESCRIPTION	DATE

Tolerances  
 X = +/- .060"  
 X.X = +/- .045"  
 X.XX = +/- .030"

Neodesha Plastics Inc.  
 48" Reptile Cage Rack

Drawn By	Clint Vance	SIZE	PSM1 NO.	DWG NO.	00005	REV
Date	12-3-10	SCALE				

SHEET 1 OF 1

D C B A

D C B A

4 3 2 1